

## Standard Preparation 1000 mm Ventilated Hot Cupboard with Shelf & Hinged Doors - no top

ITEM # \_\_\_\_\_

MODEL # \_\_\_\_\_

NAME # \_\_\_\_\_

SIS # \_\_\_\_\_

AIA # \_\_\_\_\_


**133188 (RHC10002HD)**

 Hot Cupboard with 2 hinged  
 doors - no Top, 1000mm

### Short Form Specification

**Item No.** \_\_\_\_\_

Made entirely from stainless steel. Inner welded frame in stainless steel. No top unit for integrated solutions. Sound-deadened hinged doors. Base panel in 304 AISI stainless steel and heightadjustable intermediate shelf. Mounted on feet, adjustable in height. Ventilated hot air flow system guarantees temperature evenness, air flows underneath the intermediate shelf and throughout the cabinet. Thermostat with digital display to adjust the internal temperature (up to 75°C).

### Main Features

- Ideal for central positioning in the kitchen, either as island installation or back to back.
- Handles in stainless steel for better hygiene and reliability.
- Sturdiness, stability and reliability of table accurately tested.

### Construction

- Reinforced side and base panel in 304 AISI stainless steel.
- 304 AISI stainless steel feet, 200 mm high and 54 mm in diameter, adjustable by -50/+30 mm.
- Inner welded frame in stainless steel to guarantee superior strength and stability.
- Equipped with intermediate shelf which can be positioned at three different heights.
- Easy access to the cupboard interior on all lengths guaranteed by the use of only 2 doors.
- Sturdy sound-deadened hinged doors on tracks located flush to the front of the frame.
- Without top for integrated solutions.
- Hinged door with sound deadening internal panels, fitted with 304 AISI stainless steel hinges on the inner sides.
- 100 mm upstand with 10 mm radiused corner and 13 mm deep, designed to be used against a wall.

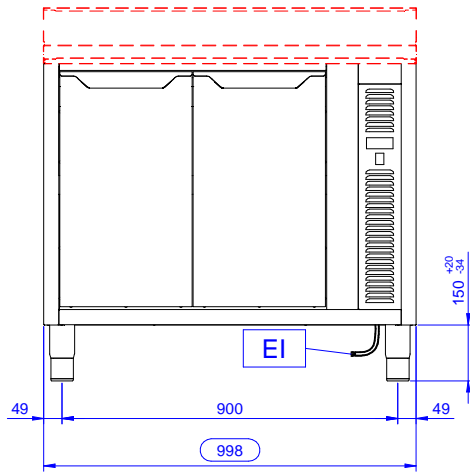
### Optional Accessories

- Stainless steel front kicking strip  PNC 133205
- Side kicking strip, 700 mm  PNC 133206

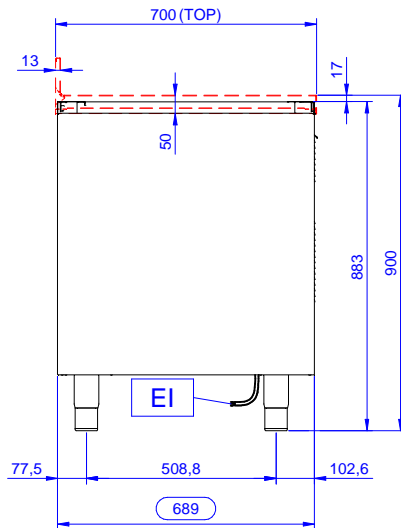
**APPROVAL:** \_\_\_\_\_

## Standard Preparation 1000 mm Ventilated Hot Cupboard with Shelf & Hinged Doors - no top

Front

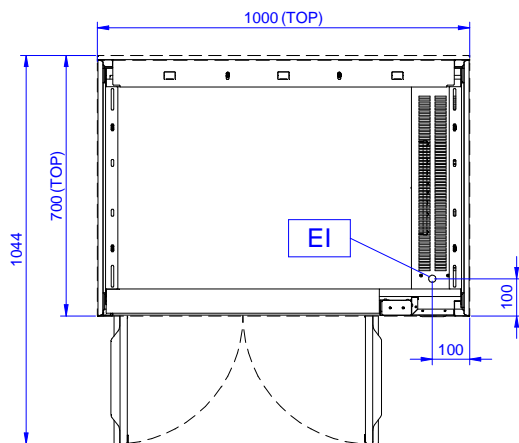


Side



EI = Electrical inlet (power)

Top



### Electric

**Supply voltage:**

133188 (RHC10002HD) 220-240 V/1N ph/50/60 Hz

**Total Watts:**

2.4 kW

### Key Information:

**Cabinet width:** 830 mm

**Cabinet depth:** 645 mm

**Cabinet height:** 610 mm

**External dimensions, Width:** 1000 mm

**External dimensions, Depth:** 700 mm

**External dimensions, Height:** 883 mm

**Number and type of doors:** 2 Hinged

**Net weight:** 42 kg

 Standard Preparation  
 1000 mm Ventilated Hot Cupboard with Shelf & Hinged Doors - no top

 The company reserves the right to make modifications to the products  
 without prior notice. All information correct at time of printing.